

# B28 Stainless Steel POTATO PEELER



**Fast . Efficient . Hygienic**

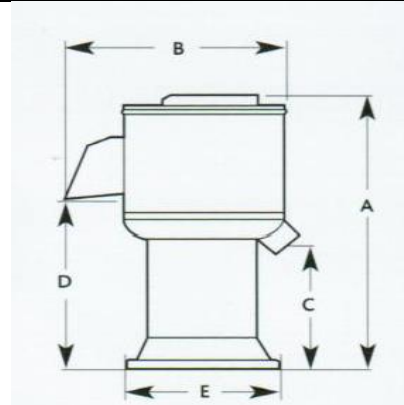


Tel: 01205 356666  
Email: [info@porcher.co.uk](mailto:info@porcher.co.uk)

## B28 Stainless Steel Potato Peeler

- Bold Peelers are leaders in the fish frying and catering industry, combining ease of operation with reliability.
- Stainless steel construction ensures a hygienic rust free machine, requiring a minimum of maintenance.
- Heavy duty gear box is automatically lubricated from oil sump making peeling operation smooth and reliable.
- The stainless steel peeling plate and drum lining can be removed for recoating when required keeping service cost to a minimum.
- Unique nylon brush fitted to bottom plate guards against blockages to waste outlet reducing the amount of cleaning required.
- The position of the water inlet and waste outlet can be varied to suit individual installation requirements.
- WRAS Approved Class A air brake is fitted to the water inlet.
- All the above features combined with quality engineering ensure that the Bold 28 Potato Peeler will remain in pristine condition after many years of reliable service.

Model	B28	Dimensions mm	B28 STD	B28 T
Capacity	12kg / 28lb	A	1040	1170
Output	300kg / 660lbs per hour	B	610	610
Waste Outlet	75mm (1m of flexible hose and clip supplied)	C	400	520
Waste Inlet	12.5mm hose fitting	D	635	770
Motor	0.75Kw 1hp	E	560	560
Voltage	240V 50Hz 1 phase *			



\*Alternative voltage available on request



Tel: 01205 356666  
Email: info@porcher.co.uk