

B56 Stainless Steel POTATO PEELER



Fast . Efficient . Hygienic



Peels a full bag in one load in under 2 minutes

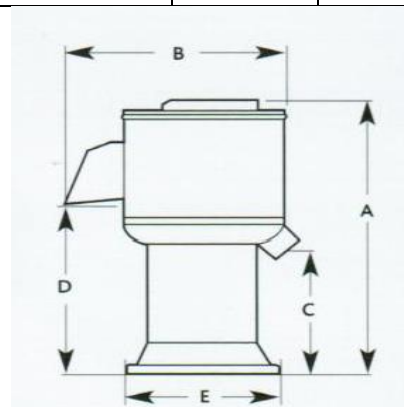


Tel: 01205 356666
Email: info@porcher.co.uk

B56 Stainless Steel Potato Peeler

- Bold Peelers are leaders in the fish frying and catering industry, combining ease of operation with reliability.
- The full bag capacity of the Bold 56 eliminates the need for operator to divide a bag before loading, this avoids the possibility of overloading which can occur with a smaller machine.
- Stainless steel construction ensures a hygienic rust free machine, requiring a minimum of maintenance.
- Heavy duty gear box is automatically lubricated from oil sump making peeling operation smooth and reliable.
- The stainless steel peeling plate and drum lining can be removed for recoating when required keeping service cost to a minimum.
- Unique nylon brush fitted to bottom plate guards against blockages to waste outlet reducing the amount of cleaning required.
- The position of the water inlet and waste outlet can be varied to suit individual installation requirements.
- WRAS Approved Class A air brake is fitted to the water inlet.
- All the above features combined with quality engineering ensure that the Bold 56 Potato Peeler will remain in pristine condition after many years of reliable service.

Model	B56	Dimensions mm	B56 STD	B56 T
Capacity	25kg / 56lb	A	1040	1170
Output	620kg / 1365lbs per hour	B	720	720
Waste Outlet	75mm (1m of flexible hose and clip supplied)	C	395	515
Waste Inlet	12.5mm hose fitting	D	635	770
Motor	0.75Kw 1hp	E	560	560
Voltage	240V 50Hz 1 phase *			



*Alternative voltage available on request



Tel: 01205 356666
Email: info@porcher.co.uk