

R1 Stainless Steel

# CHIPPER MACHINE



Fast . Easy to clean . Variable chip size

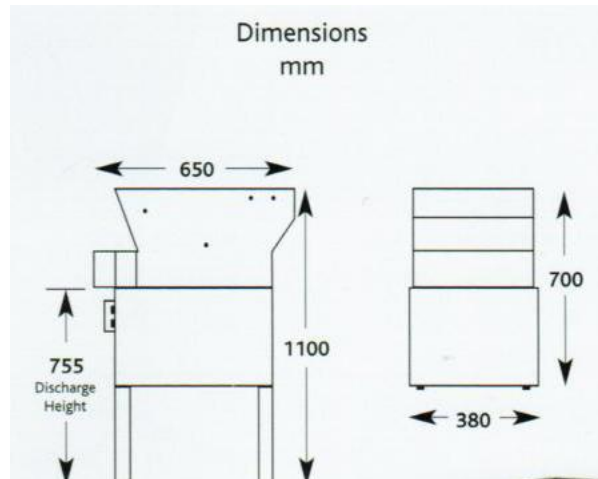


Tel: 01205 356666  
Email: [info@porcher.co.uk](mailto:info@porcher.co.uk)

## R1 Stainless Steel Chipper Machine

- Stainless steel construction and unique design of cutting action ensures maximum yield – “more chips, less bits” – producing a quality chip.
- Easy to clean, no tools required with minimum maintenance.
- Chip size can be changed in seconds or blades can be replaced individually.
- Safety interlock switches are fitted to the hopper and knife block to protect the operator.
- Bold 28/56 Potato Peelers are leaders in the fish frying and catering industry. The Bold R1 Chipper carries on the same tradition of quality engineering, ease of operation and reliability.

Model	R1
Hopper Capacity	12kg
Output	25kg per min
Motor	0.25Kw 0.33hp
Voltage	220/240V - 1 - 50
Electrical	13 amp wall socket
Fuse Rating	10 amp
Knife Block	12 x 12 14 x 14 14 x 17mm*



\*Alternative sizes are available on request

### Installation

The R1 Chipper is supplied with a stainless steel stand for bulk feeding into a large container, or as an optional extra, a detachable bucket shelf can be supplied.



Tel: 01205 356666  
Email: [info@porcher.co.uk](mailto:info@porcher.co.uk)