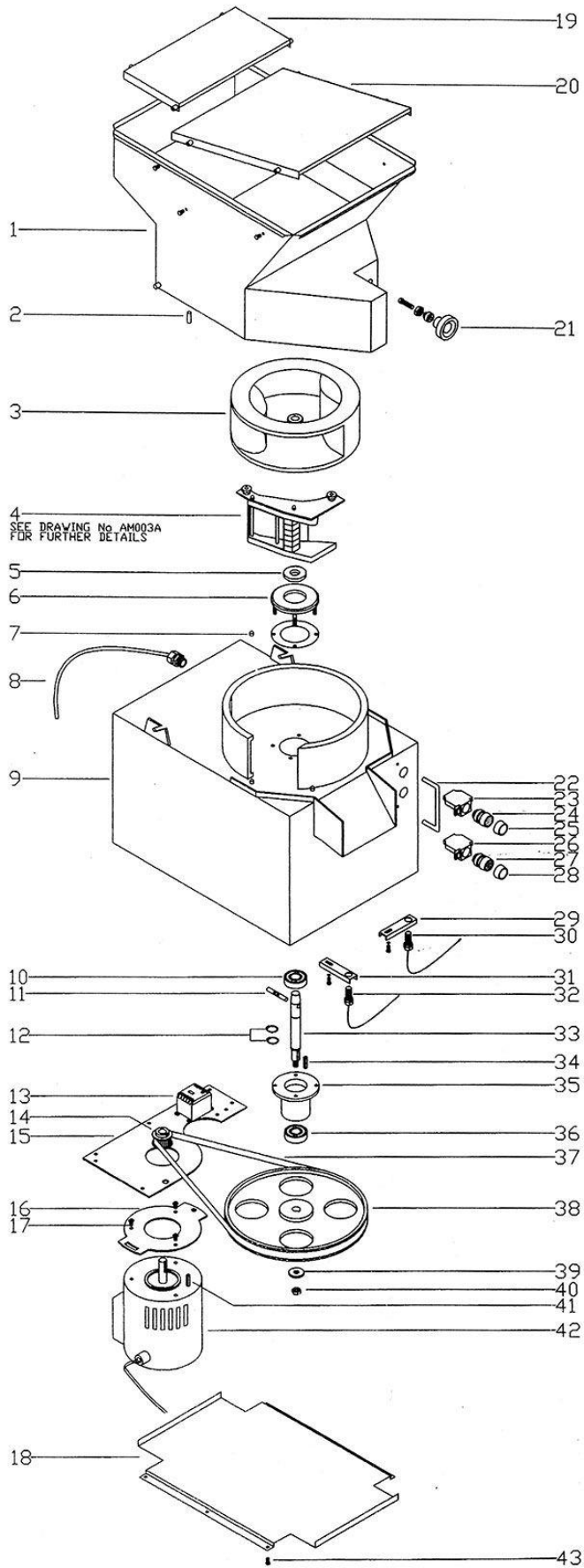


# R1 PARTS LIST



## Parts List

No	Description
1	Bold R1 Hopper
2	Bold R1 Magnet
3	Bold R1 Rotor
4	Bold R1 Knife Block (various sizes)
5	Bold R1 Oil seal
6	Bold R1 Oil seal housing
7	Bold R1 Location pins
8	Bold R1 Cable with gland
9	Bold R1 Main case
10	Bold R1 Bearing
11	Bold R1 Cross pin
12	Bold R1 Cir clips
13	Bold R1 Contactor
14	Bold R1 Motor pulley
15	Bold R1 Motor support plate
16	Bold R1 Motor plate
17	Bold R1 Motor plate screws x 3
18	Bold R1 Base cover
19	Bold R1 Hopper safety guard (small)
20	Bold R1 Hopper safety guard (large)
21	Bold R1 Hopper knob
22	Bold R1 Switch guard
23	Bold R1 Contact block
24	Bold R1 Start button
25	Bold R1 Protective cover
26	Bold R1 Contact block
27	Bold R1 Stop button
28	Bold R1 Protective cover
29	Bold R1 Proximity switch bracket
30	Bold R1 Proximity switch
31	Bold R1 Proximity switch bracket
32	Bold R1 Proximity switch
33	Bold R1 Shaft
34	Bold R1 key
35	Bold R1 Bearing housing
36	Bold R1 Bearing
37	Bold R1 Belt
38	Bold R1 Large pulley
39	Bold R1 Washer
40	Bold R1 Nylock nut
41	Bold R1 Key
42	Bold R1 Motor
43	Bold R1 Screw x 6

