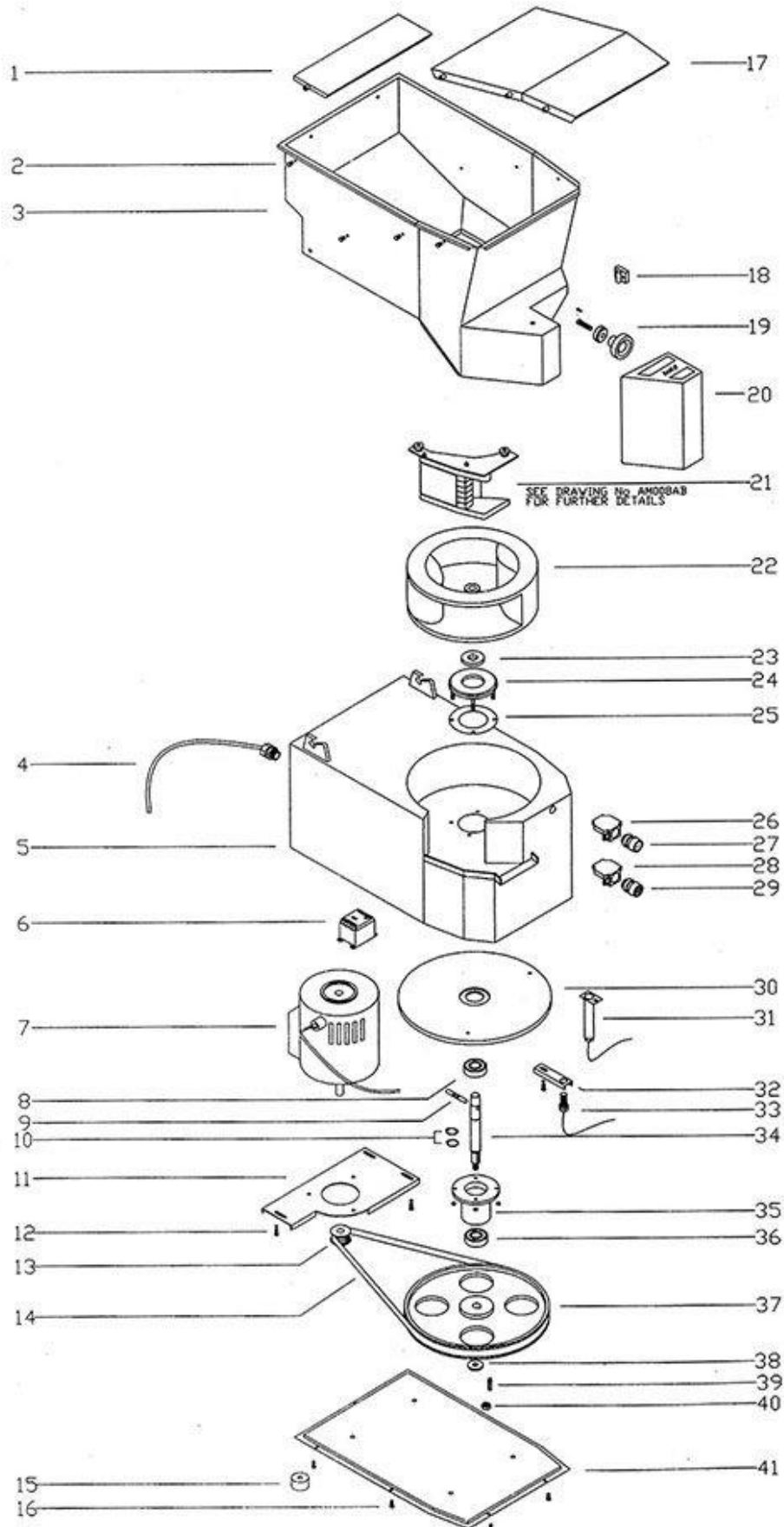


S1 PARTS LIST



Bold S1 Parts List

No	Part Name
1	Bold S1 - Hopper safety guard (small)
2	Bold S1 - Safety guard screws x10
3	Bold S1 - Hopper
4	Bold S1 - Cable with gland
5	Bold S1 - Main case
6	Bold S1 - Contactor
7	Bold S1 - Motor
8	Bold S1 - Bearing
9	Bold S1 - Cross pin
10	Bold S1 - Cir clips
11	Bold S1 - Motor support plate
12	Bold S1 - Motor plate s/s bolts x3
13	Bold S1 - Motor pulley
14	Bold S1 - Belt
15	Bold S1 - Non slip feet x4
16	Bold S1 - s/s Base Screws x 7
17	Bold S1 - Hopper safety guard (large)
18	Bold S1 - Magnet holder (inc magnet)
19	Bold S1 - Hopper knob
20	Bold S1 - s/s Extension chute
21	Bold S1 - Knife Block (various sizes)
22	Bold S1 - Rotor
23	Bold S1 - Oil seal
24	Bold S1 - Oil seal housing
25	Bold S1 - Oil seal housing Gasket
26	Bold S1 - Contact block
27	Bold S1 - Start button
28	Bold S1 - Contact block
29	Bold S1 - Stop button
30	Bold S1 - Aluminium plate
31	Bold S1 - proximity switch with holder
33	Bold S1 - Proximity switch bracket
34	Bold S1 - Proximity switch
35	Bold S1 - Shaft
36	Bold S1 - Bearing housing
37	Bold S1 - Bearing
38	Bold S1 - Large pulley
39	Bold S1 - Washer
40	Bold S1 - Key
41	Bold S1 - Nylock nut
42	Bold S1 - Base cover